

Solar Powered ICAO LIOL Type A

AV310 & AV410

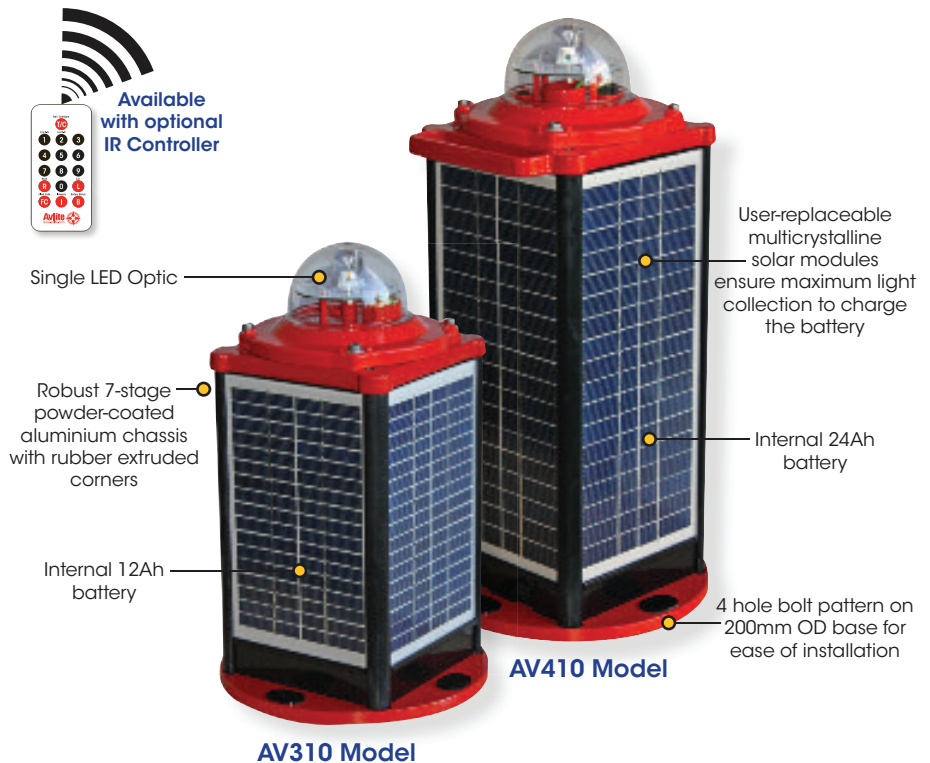
Avlite
www.avlite.com
AUTHORISED DISTRIBUTOR

Features

- Integrated solar/battery system
- User-replaceable solar modules
- IP68 waterproof rating
- Available in two power supply sizes to suit various locations

Compliance

- Low Intensity Type A Obstruction Light, ICAO Annex 14 Volume 1, 'Aerodrome Design and Operations', Forth edition July 2004, table 6.3



Avlite's Solar powered ICAO LIOL Type A is a robust, completely self-contained solar powered LED obstruction light.

The AV310 model has four 3 watt (12watt total) premium-grade solar modules integrated into the solar chassis, and mounted to collect sunlight at all angles. The AV410 model has four larger 5watt panels (20 watt total) for use in areas of lower sunlight to maximise solar collection.

The solar array charges an internal battery during daylight hours, and at dusk the light will automatically begin operation.

The rugged design of this self-contained light ensures up to 12 years of reliable service with minimal ongoing maintenance. Specifically designed for the harshest of environments, this light features a 7-stage, powder-coated aluminium top, base and internal chassis in high visibility colors for daytime recognition. The rubber, extruded corners provide additional impact resistance.

The advanced light optic uses a single power LED. The tough polycarbonate aviation lens is specifically designed for use with LEDs to maximize light intensity and uniformity. The light optic is interchangeable between units, and can be replaced onsite in the unlikely event of damage.

These models can be fitted with an optional, external ON/OFF switch; this means, when in position, the light can be turned on with the flick of a switch. The light can also be fitted with an optional external charging port for charging the battery while it is stored for extended periods.

The unit can be supplied in varying color outputs to suit other applications including runway edge lighting. For military applications the unit is also available in infrared (IR).

Solar Powered ICAO LIOL Type A

AV310 & AV410

SPECIFICATIONS •

AV310

AV410

Light Characteristics

Light Source
Available colors

Peak Intensity (cd) †
Horizontal Output (degrees)
Vertical Divergence (degrees)
Reflector Type
Available Flash Characteristics

Intensity Adjustments
LED Life Expectancy (hours)

Electrical Characteristics

Current Draw (mA)
Circuit Protection
Operating Voltage (v)
Temperature Range

Solar Characteristics

Solar Module Type
Output (watts)
Solar Module Efficiency (%)
Charging Regulation

Power Supply

Battery Type
Battery Capacity (Ah)
Nominal Voltage (v)
Typical Autonomy (nights)
Approx. daily kw/h to maintain full autonomy

Physical Characteristics

Body Material
Lens Material

Lens Diameter (mm/inches)
Lens Design
Mounting
Height (mm/inches)
Width (mm/inches)
Mass (kg/lbs)
Product Life Expectancy

Environmental Factors

Humidity
Icing
Wind Speed
Shock

Vibration

Certifications

CE
Quality Assurance
ICAO

Waterproof

Intellectual Property

Trademarks

Warranty *

Options Available

As tested AV-OL-ILA-12-R LED
Red as standard. Other colors available on request, including IR
Complies with ICAO LIOLA
360
+4 to +13
Single LED Optic
>250 including steady-on (user-adjustable)
Adjustable in 25% increments
>100,000

Steady-on: 39
Integrated
12
-40 to 80°C

Multicrystalline
12 (4 x 3watt)
14
Microprocessor controlled

SLA (Sealed Lead Acid)
12
12
Steady-on: >20
2.1

7-stage powder-coated aluminium
LEXAN® Polycarbonate - UV stabilized
107 / 4¼
Single LED Optic
4 x 17mm holes on 200mm PCD
375 / 14¾
233 / 9¼
9.1 / 20
Up to 12 years

0 to 100%, MIL-STD-810F
22kg per square inch
Up to 160kph
MIL-STD-202G, Test Condition G, Method 213B
MIL-STD202G, Test Condition B, Method 204

EN61000-6-3:1997. EN61000-6-1:1997
ISO9001:2008
Low Intensity Obstruction Light Type A
IP68

AVLITE® is a registered trademark of Avlite Systems
3 year warranty
• IR Controller
• External ON/OFF Switch
• External Battery Charging Port

As tested AV-OL-ILA-12-R LED
Red as standard. Other colors available on request, including IR
Complies with ICAO LIOLA
360
+4 to +13
Single LED Optic
>250 including steady-on (user-adjustable)
Adjustable in 25% increments
>100,000

Steady-on: 39
Integrated
12
-40 to 80°C

Multicrystalline
20 (4 x 5watt)
14
Microprocessor controlled

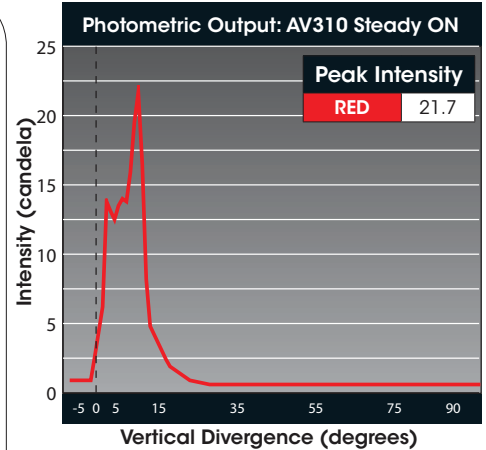
SLA (Sealed Lead Acid)
24
12
Steady-on: >40
1.4
0.7 (with Solar Booster)

7-stage powder-coated aluminium
LEXAN® Polycarbonate - UV stabilized
107 / 4¼
Single LED Optic
4 x 17mm holes on 200mm PCD
470 / 18½
233 / 9¼
13.9 / 30½
Up to 12 years

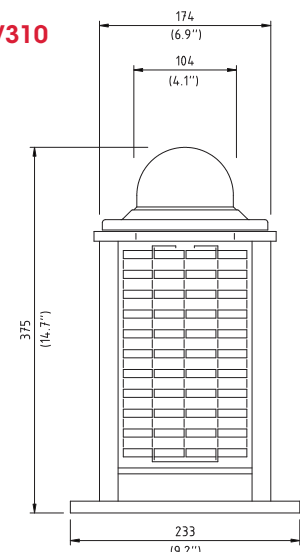
0 to 100%, MIL-STD-810F
22kg per square inch
Up to 160kph
MIL-STD-202G, Test Condition G, Method 213B
MIL-STD202G, Test Condition B, Method 204

EN61000-6-3:1997. EN61000-6-1:1997
ISO9001:2008
Low Intensity Obstruction Light Type A
IP68

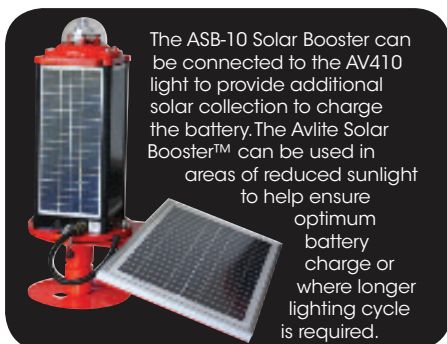
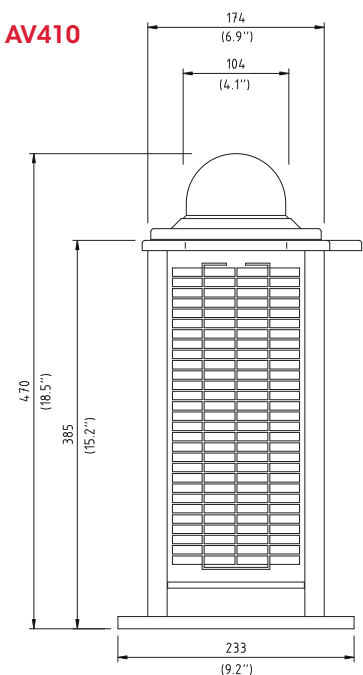
AVLITE® is a registered trademark of Avlite Systems
3 year warranty
• IR Controller
• External ON/OFF Switch
• External Battery Charging Port
• Solar Booster™



AV310



AV410



The ASB-10 Solar Booster can be connected to the AV410 light to provide additional solar collection to charge the battery. The Avlite Solar Booster™ can be used in areas of reduced sunlight to help ensure optimum battery charge or where longer lighting cycle is required.

AV310 & AV410 Mounting

