

Radio Controlled Solar Floodlight

AV-FL-RF-SOL

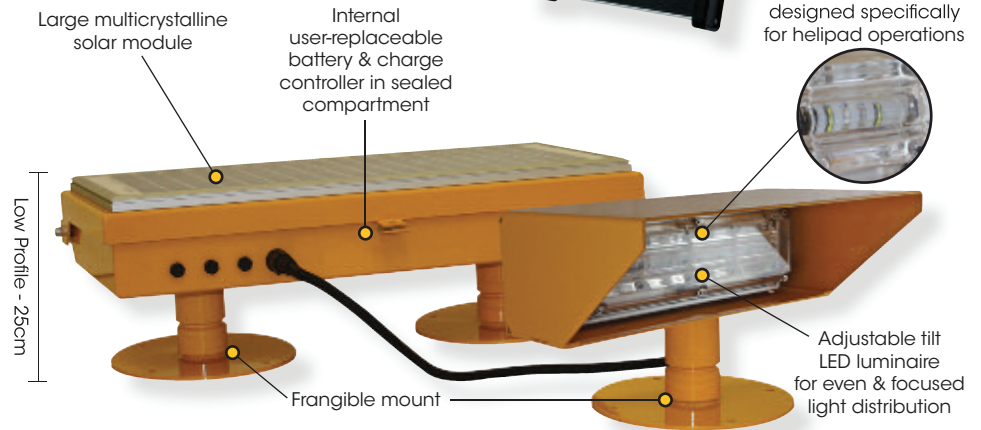
Avlite
www.avlite.com

AUTHORISED DISTRIBUTOR

Global 2.4GHz
RF Radio control

Features

- High intensity, energy efficient LEDs
- Solar powered for autonomous operation
- Low profile to suit industry requirements
- Custom lens optic designed specifically for helipad operations
- Angle of tilt of the luminaire is easily adjusted to maximise helipad illumination
- Worldwide 2.4GHz Encrypted RF Radio Control
- Weather resistant enclosure
- User-replaceable battery
- Optional NVG Mode - Illumination invisible to naked eye to support covert operations
- Mains powered option available for existing hardwired installations



Avlite's solar powered, wireless controlled LED floodlight has been specifically designed for helipads to provide uniform surface lighting where the TLOF and FATO lights need to be supplemented with floodlighting. It offers a solar-powered, LED based solution to the ICAO touchdown and lift-off area perimeter floodlights.

The self-contained solar powered light has an integrated solar and battery system, which means it can be installed in locations which do not have access to reticulated power - allowing safe illumination without the need to lay costly cabling or utilise generators.

Housed in a weatherproof, powder-coated aluminium enclosure to withstand the harshest of environments, the complete assembly has a low profile of less than 25cm and mounts to frangible points.

The LED optic is specifically designed for helipad operations, and distributes the light evenly across the wide helipad surface. The angle of tilt of the LED luminaire can be easily adjusted to focus the light on the helipad to maximise illumination. The optic hood further prevents potential glare to pilots upon approach.

Avlite's solar powered floodlight utilizes the same wireless controller as the AV-425-RF and AV-70-RF models. This allows the single Avlite controller to control multiple Avlite fixtures including the solar range of; taxiway lights, approach lights, obstruction lights, lighted windsock and other products.

All fixtures, including the floodlight, can be wirelessly operated independently of each other or controlled as a single group.



systemsinterface
total airport solutions

Unit 71.5 Dunsfold Park, Cranleigh, Surrey GU6 8TB, United Kingdom
Tel: +44 (0)1483 267 066 Fax: +44 (0)1483 267 044 Email: sales@systemsinterface.com
www.systemsinterface.com

Radio Controlled Solar Floodlight

AV-FL-RF-SOL

SPECIFICATIONS •

Light Characteristics

Light Source LED
 Available colors White, other colors available on request
 LED Life Expectancy (hours) >100,000

Electrical Characteristics

Voltage (V) 12
 Circuit Protection Integrated
 Temperature Range -40 to 80°C

Solar Characteristics

Solar Module Type Multicrystalline
 Output (watts) 20
 Solar Module Efficiency (%) 14
 Charging Regulation Microprocessor controlled

Power Supply

Battery Type SLA (Sealed Lead Acid)
 Battery Capacity (Ah) 18
 Nominal Voltage (v) 12

Radio Controlled

Frequency 2.4GHz ISM Band
 Compliance FCC / CE

Physical Characteristics

Body Material 7-stage powder coated aluminium
 Lens Material LEXAN® Polycarbonate - UV stabilized
 Mounting Frangible mount
 Height (mm/inches) 250 / 9¾
 Length (battery housing)(mm/inches) 674 / 26½
 Length (illuminare housing)(mm/inches) 406 / 16
 Width (battery housing)(mm/inches) 332 / 13⅛
 Width (illuminare housing)(mm/inches) 230 / 9
 Mass (kg/lbs) 18.4 / 40½
 Product Life Expectancy Up to 12 years

Environmental Factors

Humidity 0 to 100%, MIL-STD-810F
 Icing 22kg per square inch
 Wind Speed Up to 160kph

Certifications

CE EN61000-6-3:1997 .EN61000-6-1:1997
 Quality Assurance ISO9001:2008
 Waterproof (electronic enclosures) IP68

Intellectual Property

Trademarks AVLITE® is a registered trademark of Avlite Systems

Warranty *

Options Available
 • 3 year warranty
 • Avlite Pilot Activated Lighting Control
 • IR LEDs
 • Mains power



• Specifications subject to change or variation without notice
 * Subject to standard terms and conditions

