

AV60

Solar Aviation Light

Avlite
www.avlite.com
AUTHORISED DISTRIBUTOR

Features

- Up to 5.7km visible range (flashing), up to 3.7km visible range (steady-on) - color dependant
- Integrated solar/battery system
- IP68 waterproof rating
- User-replaceable battery
- Ultra-high intensity LEDs (no changing globes ever)

Typical Applications

- Solar Barricade Light
- Solar Caution Light
- Solar Hazard Light
- Solar Taxiway Light (ICAO)
- Solar Obstruction Light

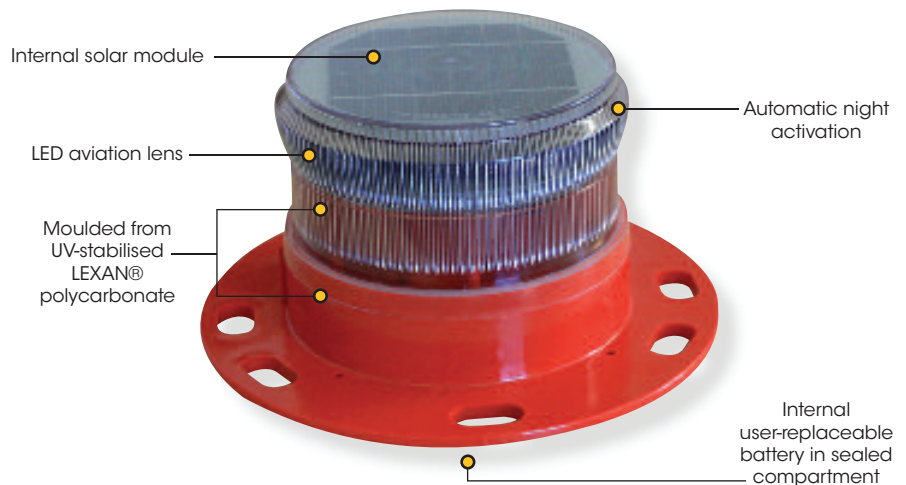
Compliance

- FAA AC150/5370-2E for construction and barricade installations
- ICAO Annex 14 Volume 1, 'Aerodrome Design and Operations', Forth edition July 2004, paragraph 5.3.17.7.



Royal Flying Doctor Service

Avlite donates AU\$20 to the Royal Flying Doctor Service from the sale of each AV60 & AV70 light within Australia



The AV60 solar LED light provides in excess of 5km visible range (flashing), and is suitable for a variety of applications including taxiway, general hazard, barricade and low-intensity obstruction lighting.

Designed to be maintenance-free and have a service life of up to 12 years, the popular AV60 model boasts user-adjustable intensity settings and can be set onsite to either steady-on or flashing operation. The light is simply switched 'ON', and the unit is ready for immediate operation. Once installed, the AV60 requires no operator intervention.

The internal solar module charges the battery during daylight hours, and at dusk the light will automatically begin operation once the ambient light threshold drops sufficiently. The battery is housed in a sealed compartment allowing it to be changed after years of service.

Coupled with the latest LED technology, and a highly efficient DC/DC converter, the light may provide over 40 days of continuous operation without sunlight. The AV60 comes with a large 200mm OD base pattern, and is available with voltage-free contact for remote monitoring.

Several thousand AV60 units are installed throughout Asia, Africa and the Middle East to mark telecommunications towers and other aerial obstructions.

Optional Voltage-free Contact

The AV60 can be fitted with Voltage-free Contact to allow external monitoring of battery status if it falls below a specific threshold.



systemsinterface
total airport solutions

Unit 71.5 Dunsfold Park, Cranleigh, Surrey GU6 8TB, United Kingdom
Tel: +44 (0)1483 267 066 Fax: +44 (0)1483 267 044 Email: sales@systemsinterface.com
www.systemsinterface.com

SPECIFICATIONS •

Light Characteristics

Light Source 6 ultra-high intensity LEDs
 Available colors Red, Green, White, Yellow, Amber, Blue, Sectored Combinations
 Peak Intensity (cd)† Steady-on: Blue - 1.0 Red - 3.3 Green - 5.0 White - 4.4 Yellow - 3.0
 Flashing: Blue - 3.3 Red - 7.3 Green - 16.1 White - 14.3 Yellow - 6.9
 Horizontal Output (degrees) 360
 Vertical Divergence (degrees) 15
 Reflector Type Omnidirectional 360° LED Reflector
 (US Pat. No. 6,667,582. AU Pat. No. 778,918)
 Available Flash Characteristics >250 including steady-on (user-adjustable)
 Intensity Adjustments Adjustable in 25% increments
 LED Life Expectancy (hours) >100,000

Electrical Characteristics

Operating Voltage (v) 3.6
 Temperature Range -40 to 80°C

Solar Characteristics

Solar Module Type Multicrystalline
 Output (watts) 1.4
 Solar Module Efficiency (%) 14
 Charging Regulation Microprocessor controlled

Power Supply

Battery Type High grade NIMH - Environmentally friendly
 Battery Capacity (Ah) 8
 Nominal Voltage (v) 3.6
 Autonomy (nights) Steady-on: >20
 Flashing: >40 (14 hour darkness, 12.5% duty cycle)

Physical Characteristics

Body Material LEXAN® Polycarbonate - UV stabilized
 Lens Material LEXAN® Polycarbonate - UV stabilized
 Lens Diameter (mm/inches) 140 / 5½
 Lens Design External optics with interior flute design
 Mounting 6 x 17mm holes on 200mm PCD
 Height (mm/inches) 120 / 4¾
 Width (mm/inches) 231 / 9⅛
 Mass (kg/lbs) 1.1 / 2⅜
 Product Life Expectancy Up to 12 years

Environmental Factors

Humidity 0 to 100%, MIL-STD-810F
 Icing 22kg per square inch
 Wind Speed Up to 160kph
 Shock MIL-STD-202G, Test Condition G, Method 213B
 Vibration MIL-STD202G, Test Condition B, Method 204

Certifications

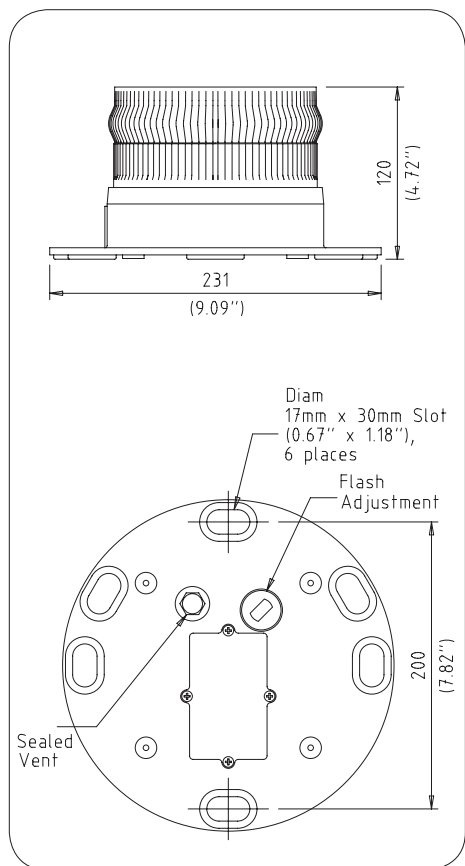
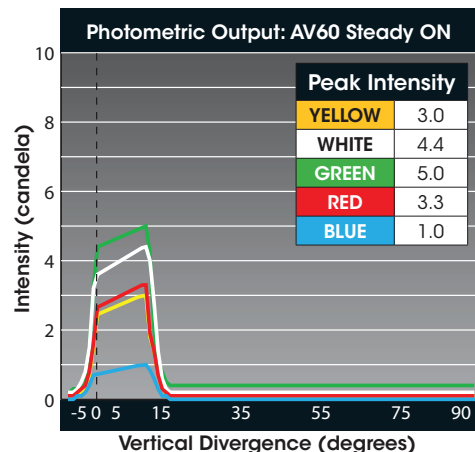
CE EN61000-6-3:1997. EN61000-6-1:1997
 Quality Assurance ISO9001:2008
 Waterproof IP68

Intellectual Property

Patents US Pat. No. 6,667,582. AU Pat. No. 778,918
 Trademarks AVLITE® is a registered trademark of Avlite Systems

Warranty *

Options Available Full 3 year warranty
 • Voltage-free Contact (AV60-VFC)
 • IR (AV60.IR)
 • External ON/OFF Switch (AV60-S)



* Specifications subject to change or variation without notice
 * Subject to standard terms and conditions
 † Intensity setting subject to solar availability

