

Radio Controlled Solar Heliport Light

AV-HL-RF-SOL

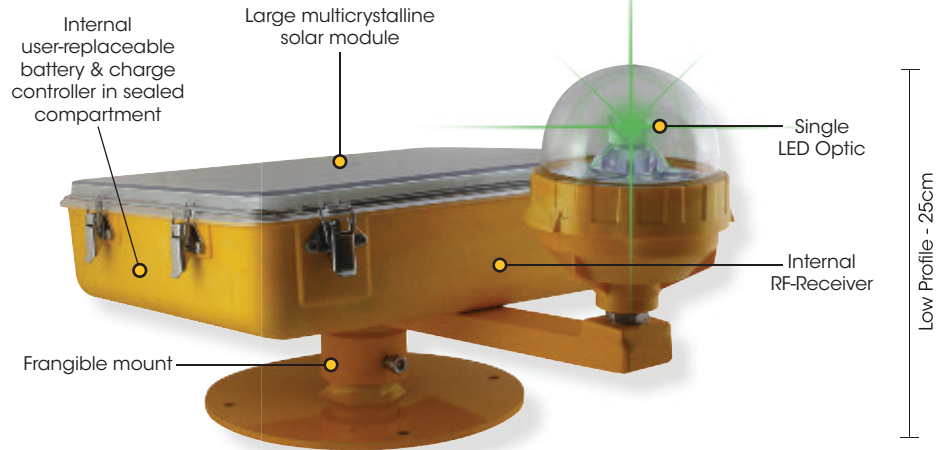
Avlite
www.avlite.com
AUTHORISED DISTRIBUTOR

Features

- High intensity, energy efficient LEDs
- Solar powered for autonomous operation
- Low profile to suit industry requirements
- Custom lens optic designed specifically for helipad operations
- Worldwide 2.4GHz encrypted RF radio control
- 3-step intensity adjustment, including temporary high mode & dusk-fill-dawn operation in low intensity mode
- Frangible point
- Hinged lid allowing fast battery access
- User-replaceable battery
- Lightweight, UV stabilised enclosure
- Optional NVG Mode - Illumination invisible to naked eye to support covert operations

Compliance

- Designed to meet ICAO Annex 14 Touchdown and Lift-off Area Perimeter Lights



Avlite's helipad light is a solar-powered, wireless controlled, completely self-contained LED heliport light designed to meet the standards of ICAO Annex 14 Touchdown and Lift-off perimeter lights.

The solar powered helipad light gives over 50 hours of continuous operation at ICAO Annex 14 Touchdown and Lift-off perimeter light intensities.

The helipad light comes ready for operation straight from the box, simply bolt the light to the supplied frangible mount assembly and install.

The unit is made from tough, impact resistant polymers in aviation yellow. A premium grade solar module is integrated into the assembly and mounted to collect sunlight. The solar array charges the 16Ah battery during daylight hours.

Avlite's solar powered helipad light utilizes the same controller as Avlite's AV425-RF and AV70-RF models which means a single controller can control multiple Avlite fixtures including the solar range of: heliport beacons, taxiway lights, obstruction lights, lighted windsock and other products.

The radio controller is designed to support a number of operational modes including 3-step intensity adjustment, and switching the system between visual and IR.

The solar powered helipad light and other Avlite fixtures may be supplied integrated with a solar Pilot Activated Lighting Control (PALC) for remote operation of an unmanned heliport.



Tactical Model with dual light heads for Visible & NVG/IR Modes



systemsinterface
total airport solutions

Unit 71.5 Dunsfold Park, Cranleigh, Surrey GU6 8TB, United Kingdom
Tel: +44 (0)1483 267 066 Fax: +44 (0)1483 267 044 Email: sales@systemsinterface.com
www.systemsinterface.com

Radio Controlled Solar Heliport Light

AV-HL-RF-SOL

SPECIFICATIONS •

Light Characteristics

Light Source	LED
Available colors	Red, Green, White, Yellow, Amber, Blue
Peak Intensity @ temporary high (cd)	Up to 60cd (green)
Horizontal Output (degrees)	360
Vertical Divergence (degrees)	0° - 90°: 60cd max >20° - 90°: 3cd min >10° - 20°: 15cd min 0° - 10°: 30cd min >100,000

LED Life Expectancy (hours)

Electrical Characteristics

Circuit Protection	Integrated
Operating Voltage (v)	12
Temperature Range	-40 to 80°C

Solar Characteristics

Solar Module Type	Multicrystalline
Output (watts)	10
Solar Module Efficiency (%)	14
Charging Regulation	Microprocessor controlled

Power Supply

Battery Type	High Grade NiMH - environmentally friendly
Battery Capacity (Ah)	16
Nominal Voltage (v)	12
Autonomy (hours)	Over 50hrs of continuous operation at ICAO Annex 14 (high intensity) Over 150hrs of continuous operation (medium intensity) Over 500hrs of continuous operation (low intensity)

Radio Controlled

Frequency	2.4GHz ISM Band
Compliance	FCC / CE

Physical Characteristics

Body Material	UV stabilized polymer
Light Mount Material	7-stage powder coated aluminium
Lens Material	LEXAN® Polycarbonate - UV stabilized
Lens Diameter (mm/inches)	100 / 3 ⁷ / ₈
Lens Design	Single LED Optic
Mounting	Frangible mount
Height (mm/inches)	250 / 9 ⁷ / ₈
Length (mm/inches)	520 / 20 ¹ / ₂
Width (mm/inches)	360 / 14 ¹ / ₈
Mass (kg/lbs)	Approximately 14 / 30 ⁷ / ₈
Product Life Expectancy	Up to 12 years

Environmental Factors

Humidity	0 to 100%, MIL-STD-810F
Icing	22kg per square inch
Wind Speed	Up to 160kph

Certifications

CE	EN61000-6-3:1997, EN61000-6-1:1997
Quality Assurance	ISO9001:2008
Waterproof	IP67

Intellectual Property

Trademarks	AVLITE® is a registered trademark of Avlite Systems
Warranty *	3 year warranty

Options Available

- Avlite Pilot Activated Lighting Control
- IR LED



* Specifications subject to change or variation without notice

